

# Lined Acid Tanks

Suretank's transportable acid tank range combines robust offshore design standards with inherent material compatibility. The company can offer tank linings in PFA, Teflon, PE, various types of rubber, phenolic, glass flake, epoxy and many other types of material.

Each tank is rigorously inspected prior to dispatch and certified to the relevant transport and offshore design codes.



## Horizontal Lined Transport Tanks

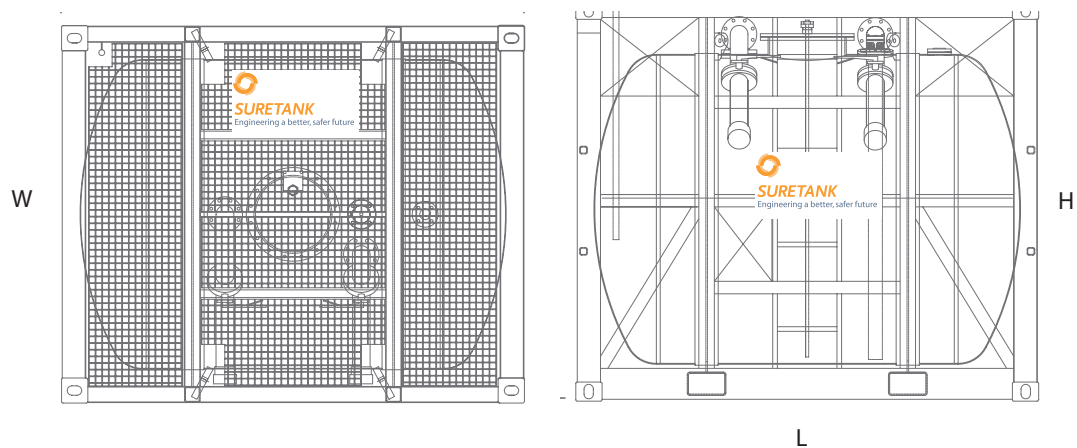


# Horizontal Acid Tank



Capacity	Frame Size (in mm)			Tare	Payload	MGW
Nominal	L	W	H	kg	kg	kg
2300 Litres	2150	1900	2100	2000	3500	5500
3000 Litres	2150	1900	2351	2000	4500	6500
4000 Litres	2250	1900	2500	2200	5800	8000
4800 Litres	2750	1850	2337	2600	7830	9600
8000 Litres	2991	2438	2591	4100	10,900	15,000
16,000 Litres	6058	2438	2591	5500	19,500	25,000
17,000 Litres	6058	2438	2591	6000	19,000	25,000

Other volumes available on request.



# Vertical Acid Transport Tank



Capacity	Frame Size (in mm)			Tare	Payload	MGW
Nominal	L	W	H	kg	kg	kg
2300 Litres	1500	1500	2500	1200	3800	5000
3000 Litres	1995	1995	2235	2000	4500	6500
4000 Litres	1995	1995	2571	2300	5700	8000
5000 Litres	2236	2236	2600	3000	7500	10,500
6000 Litres	2438	2438	2750	3100	9900	13,000

Other volumes available on request.

